



Bring Your Business Anywhere

HiTi P510s

6-inch Standalone Roll-type Photo Printer

www.LAAB.com.tw

02-2389-0101



Light-weight Design



Standalone Operation



10-bit Color Engine



► HiTi Innovation: Studio-on-the-go

Since its establishment, HiTi has strived to create convenience for digital photo printing users. After successfully developing the world's first Standalone Photo Printer, HiTi continuously makes efforts in developing the all-new Studio-on-the-go product with easy-carry appeal, allowing customers to bring their photo business anywhere.

Studio
on the go

► Light-weight 6-inch Roll-type Photo Printer

Weighing less than 14kg, the HiTi P510S is the 6-inch standalone roll-type photo printer combining light-weight, high printing speed, and high media capacity in one product. Designed for professional users, the P510S gives you the flexibility to do on-location photo finishing.

13.6kg
(30 lbs)



► Standalone Capability and User-Friendly Workflow

Standalone Operation (No Computer Required)

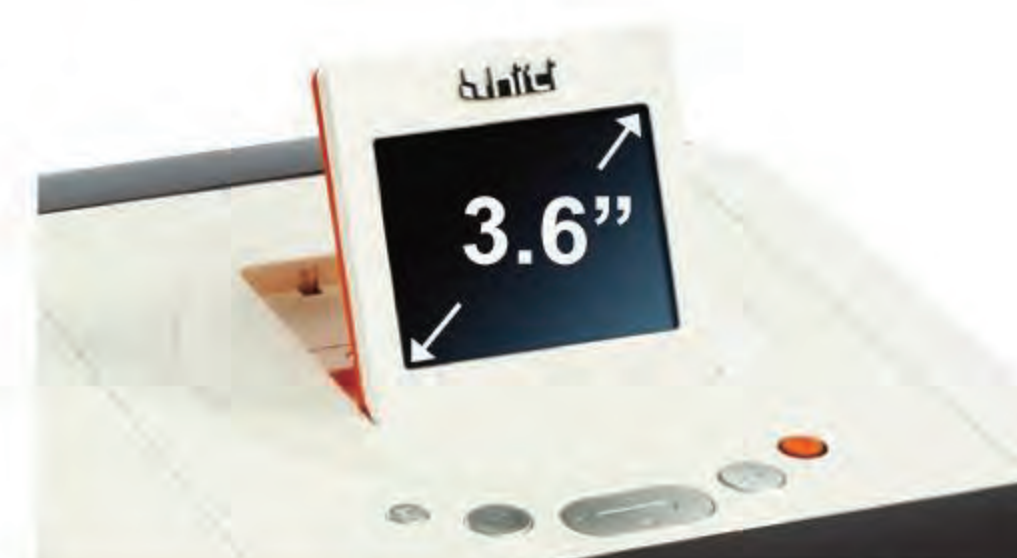
Utilizing a graphic user interface on a 3.6-inch LCD, it is very easy to operate HiTi P510S printer without the need of a computer.

Customized Photo E-Frame

HiTi P510S enables business owners freely to add customized photo e-frame from the backstage system to provide value-added holiday or event prints for customers.

Useful Storage Design

With a built-in storage device, P510S is able to store several photo e-Frame and ID formats to satisfy varied printing needs.



Bring Your Business Anywhere

HiTi P510S Photo Printer

► Practical Software/Utilities www.LAAB.com.tw 02-2389-0101

eFrame Converter

eFrame Converter is a dedicated utility/tool for users to convert TIFF files into HiTi designated eFrame formats. You design the eFrame in PhotoShop, then use eFrame Converter to change the TIFF design into the specific file formats the HiTi P510S printer can read.



EventDésirée Deluxe

Designed for event business, the software is especially for users who want to print a large quantity of photos under limited time period. By applying EventDésirée Deluxe, it is so much easier to convert JPEG files into HiTi designated event template formats and make great quantity of photo printing.



ID Creator

Designed for Passport/ID photo users. You can easily design multiple ID formats in a few simple steps and then load them to the printer for further use.



IDQuickDésirée

PC-based software gives users the ability to print Passport/ID photos.



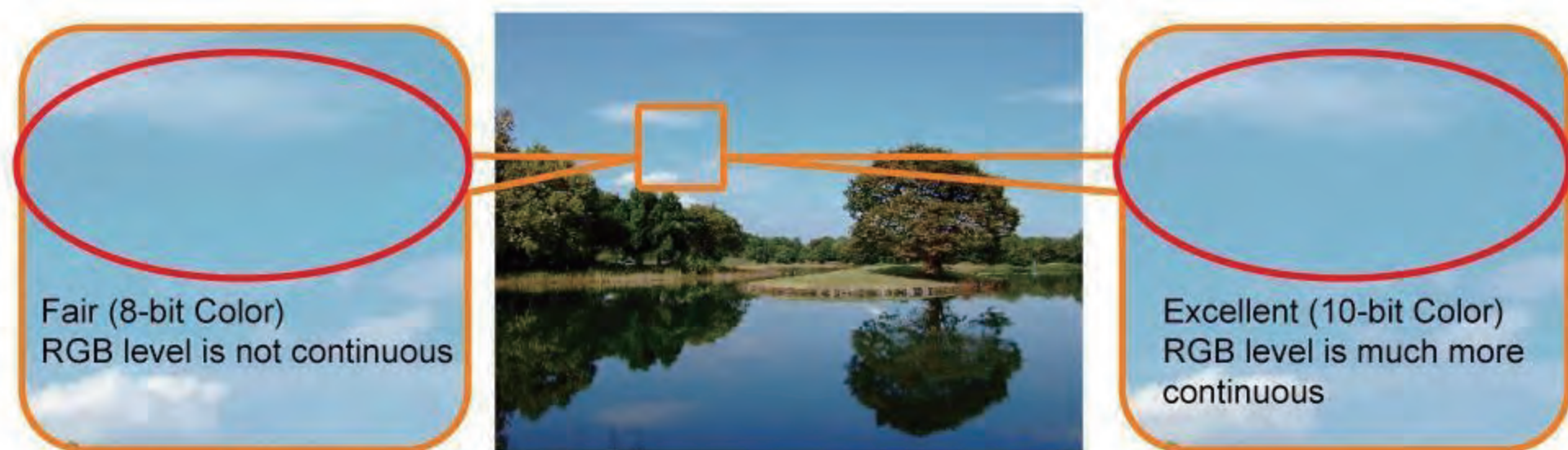


www.LAAB.com.tw 02-2389-0101

► World Leading Output Quality

10-bit Color Engine

By adding an all-new OEE II image processor, HiTi is leading the industry in providing 10-bit deep color performance and unparalleled RGB-Level.



10-bit processing = 1,024
 R 1,024 x G 1,024 x B 1,024 = 1 Billion Color

Powered by HiTi Color

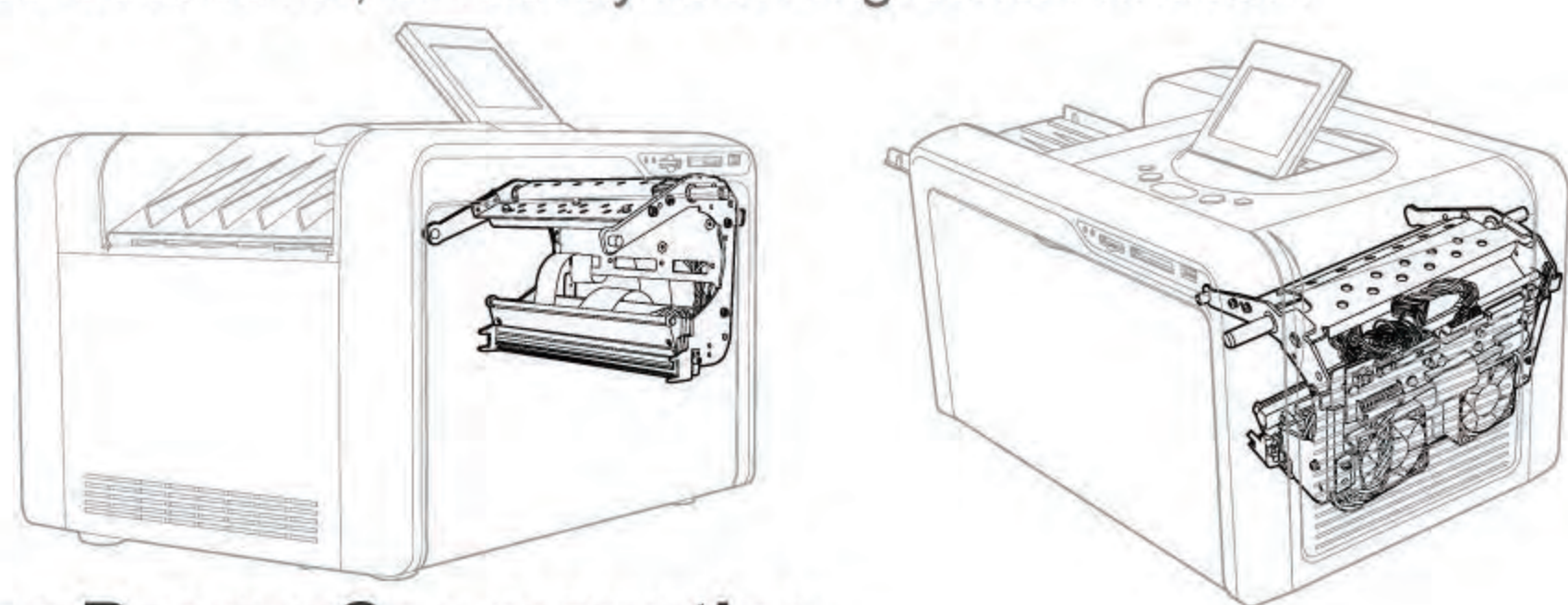
HiTi Color Technology, a HiTi exclusive color management system, has won 8 DIMA awards and is acclaimed by photographic professionals from around the world.



► Durable and Convenient Design

Improved Dust-proof Housing

The Thermal Printing Head of the P510S printer is protected by an integrated dust cover, efficiently reducing contamination.

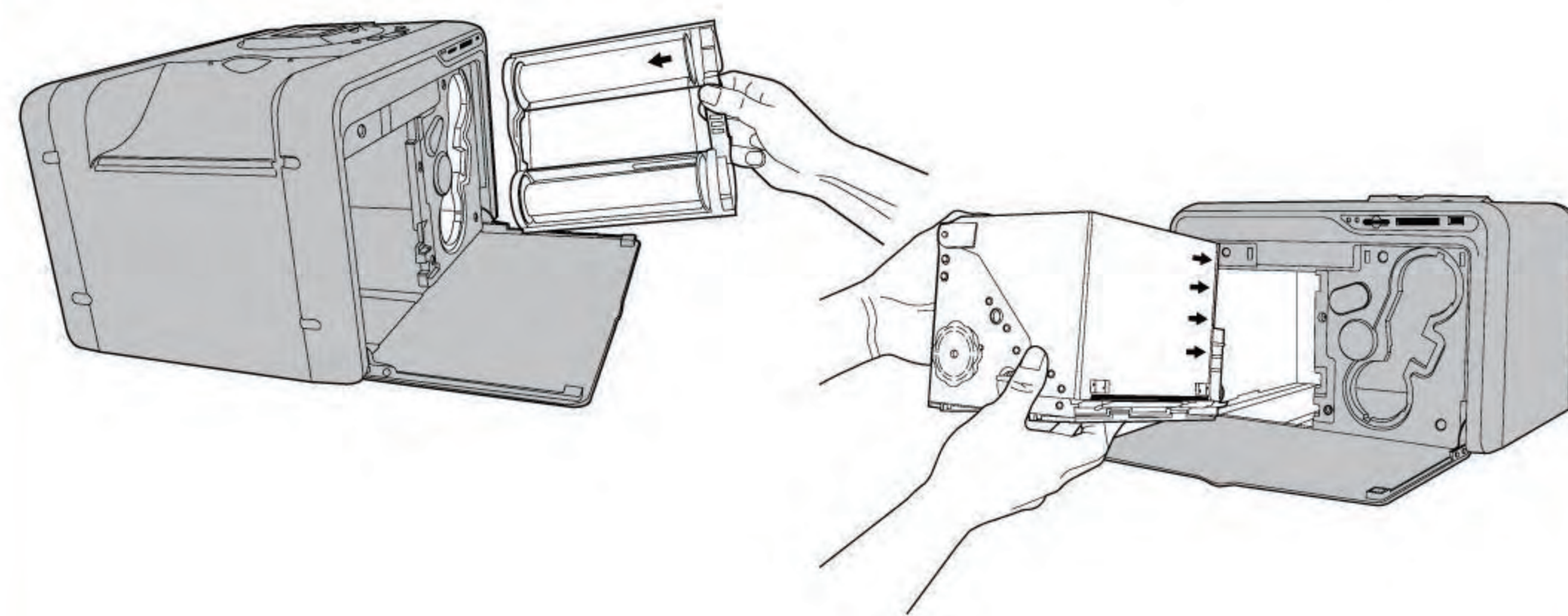


Lower Power Consumption

HiTi P510S photo printer delivers industry-leading performance and consumes less power. The total power consumption of HiTi P510S is about 300W, and less than 20W as printer is idling.

Easy Replacement of Consumables

The front loading design of the HiTi P510S printer allows for easy access to the ribbon and paper roll resulting in easy and efficient maintenance procedures.



User-Friendly Workflow

2-Click to Print

With less clicks and intuitive user-interface design, printing a photo can be a much easier and faster experience.

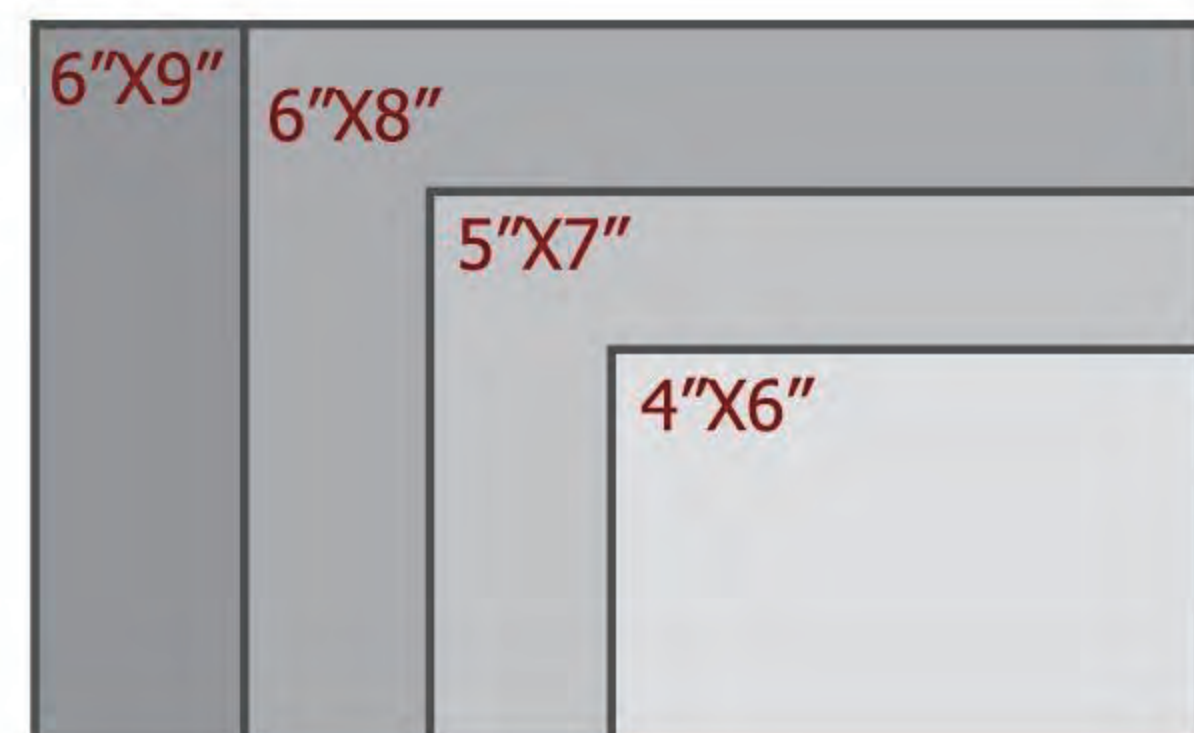
Hot Key Design for Switching the Printing Modes

P510S offers 3 different printing modes specially designed for making Event Photo, ID Photo and Personalized Photo. With hot key design, it is easy and convenient to switch the printing modes.



Varied Printing Formats in 1 Machine

The HiTi P510S printer offers users the versatility to print various photo sizes, including 4"x6", 5"x7", 6"x8", and 6"x9"



► P510s

► Specifications

Model Name	HiTi P510S
Printing Method	Dye Diffusion Thermal Transfer (D2T2 Technology)
Resolution	300 x 300 dpi
Print Size & Capacity	4" x 6" (102 x 152 mm): 330 prints 5" x 7" (127 x 177 mm): 190 prints 6" x 8" (152 x 203 mm): 150 prints 6" x 9" (152 x 229 mm): 150 prints
Printing Speed	Around 12 seconds (4x6 prints)
Display	3.6-inch TFT LCD
Input Media	CF & Micro Drive / SD (SDHC) / MMC / MS / MS Pro / USB Pen Drive
Standalone Operation	Yes
eFrame Function	Yes
Bundled Software	ID Creator eFrame Converter IDQuickDésirée EventDésirée Deluxe
Operation System	Windows 2000/ XP/ Vista, Windows 7, Mac OS 10.2, 10.3, 10.4, 10.5 and 10.6
Power Requirement	AC 100 V~240 V, 50 / 60 Hz
Power Consumption	Total power consumption: approx. 300W Standby power consumption: less than 20W
Operation Condition	15°C ~ 32°C / 59°F ~ 90°F; 20 ~ 75% non-condensing
Dimension	392 x 298 x 245 mm (15.4 x 11.9 x 9.7 inches)
Weight	13.6 kg (30 lbs)

► Dimension



Service & Support Centers

Taiwan

www.LAAB.com.tw
02-2389-0101

China

HiTi Digital Suzhou, Inc.
No.58, XinQing Road, Suzhou Industrial Park, JiangSu, China
Tel: +86-512-8717-1688
Fax: +86-512-6760-1186

Europe · Russia

HiTi Digital Europe B.V.
ESP 206, 5633 AC, Eindhoven, The Netherlands
Tel: +31-40-2565166
Fax: +31-40-2903176 & +31-40-2903287

North America

HiTi Digital America, Inc.
727 Brea Canyon Rd. Suite#2 Walnut, CA 91789, USA
Tel: +1-909-594-0099
Fax: +1-909-598-0011

Latin America

HiTi Digital, Inc. (Mexico)
Agustín Gonzalez de Cossio No. 1-202 Col. Del Valle, C.P. 03100,
Mexico, D. F. Mexico
TEL: +52-55-50253671, +52-55-50253672
FAX: +52-55-11076206

Middle East · Africa

HiTi Digital, Inc. MEA
Office No. 1608, Indigo Icon Tower, JLT, Dubai - U.A.E.
Tel: +971-4-3674547
Fax: +971-4-3674221

► Consumables

P510 Series

4" x 6" Ribbon & Paper Case (660 images per case)

Ribbon (330 sheets / roll) x 2
Paper (330 sheets / roll) x 2



P510 Series

5" x 7" Ribbon & Paper Case (380 images per case)

Ribbon (190 sheets / roll) x 2
Paper (190 sheets / roll) x 2



P510 Series

6" x 9" Ribbon & Paper Case (300 images per case)

Ribbon (150 sheets / roll) x 2
Paper (150 sheets / roll) x 2



hiti HiTi Digital, Inc.

- ▲ © 2010 HiTi Digital, Inc. All Rights Reserved.
- ▲ Microsoft Windows and Vista are trademarks of Microsoft Corporation. Mac OS is a trademark of Apple Inc. All other trade names and trademarks are property of their respective owners.
- ▲ Specifications are subject to change without prior notice.