



A Small Photo Kiosk
That's Big Inside



HiTi P510K Mini Photo Kiosk

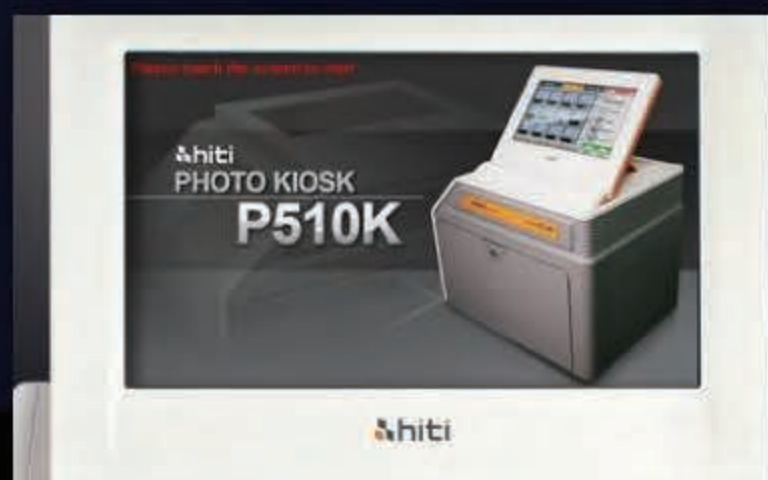
The Compact Integrated 6-inch Roll-Type Photo Kiosk

www.LAAB.com.tw

02-2389-0101



Compact and All-in-One Design



Intuitive User-Interface Design



Variety of Photofinishing Formats



► A Small Photo Kiosk, That's Big Inside

Compact and All-in-One Design

HiTi P510K is the world first mini photo kiosk with less than 20kg, and is integrated with 10.2-inch TFT LCD touch screen, industrial computer system, media card slots, 6-inch roll-type printer, user-friendly workflow menu as well as powerful backstage management system to be designed within one product. HiTi P510K gives you the All-in-One solution for a perfect photofinishing station that you can possibly get in the market.

Elegant and Stylish Appearance

With the world leading architecture structure design, HiTi P510K can easily capture everyone's attention with its elegant, stylish outlook taste and friendly user interface menu.

Full Connectivity

HiTi P510K supports various memory card types, USB storage devices, Bluetooth compatible connection, and also comes equipped with an external DVD/CD reader, which enable customers to print photos from their own storage equipment, wireless compatible device and DVD/CD media*.

* External USB DVD/CD reader is compatible with P510K, but it's not the standard equipment of package contents.



External Printer Connectivity

Through an USB cable, HiTi P510K can connect to an external printer, HiTi P510S, and make it as a slave printer. With this function, users may print various photo sizes without constantly changing the consumables. Simply set up the backstage system to enable it. Your photo business can be started right away.



A Small Photo Kiosk, That's Big Inside

HiTi P510K Mini Photo Kiosk

► Diverse Printing Service

Variety of Photofinishing Formats

HiTi P510K Photo Kiosk offers users the versatility of printing layout to satisfy requests for different digital imaging service, including standard photos, passport/ID photos, e-frame photos, collage prints and photo index.

Variety of Digital Photo Printing Sizes

The HiTi P510K offers users the versatility to print various photo sizes, including 4"x6", 5"x7", 6"x8" and 6"x9".



► Your Smart Investment for Photo Kiosk

Perfect Kiosk Solution for Every Photofinishing Environment

HiTi P510K provides the world smallest 6-inch roll-type D2T2 photo kiosk in the market which is perfect for photo studios, chain stores, hotels, or entertainment places. HiTi P510K is running with low operational cost that can quickly turn your investment into valuable margins. It is the ideal money machine for mid-sized in-store business.

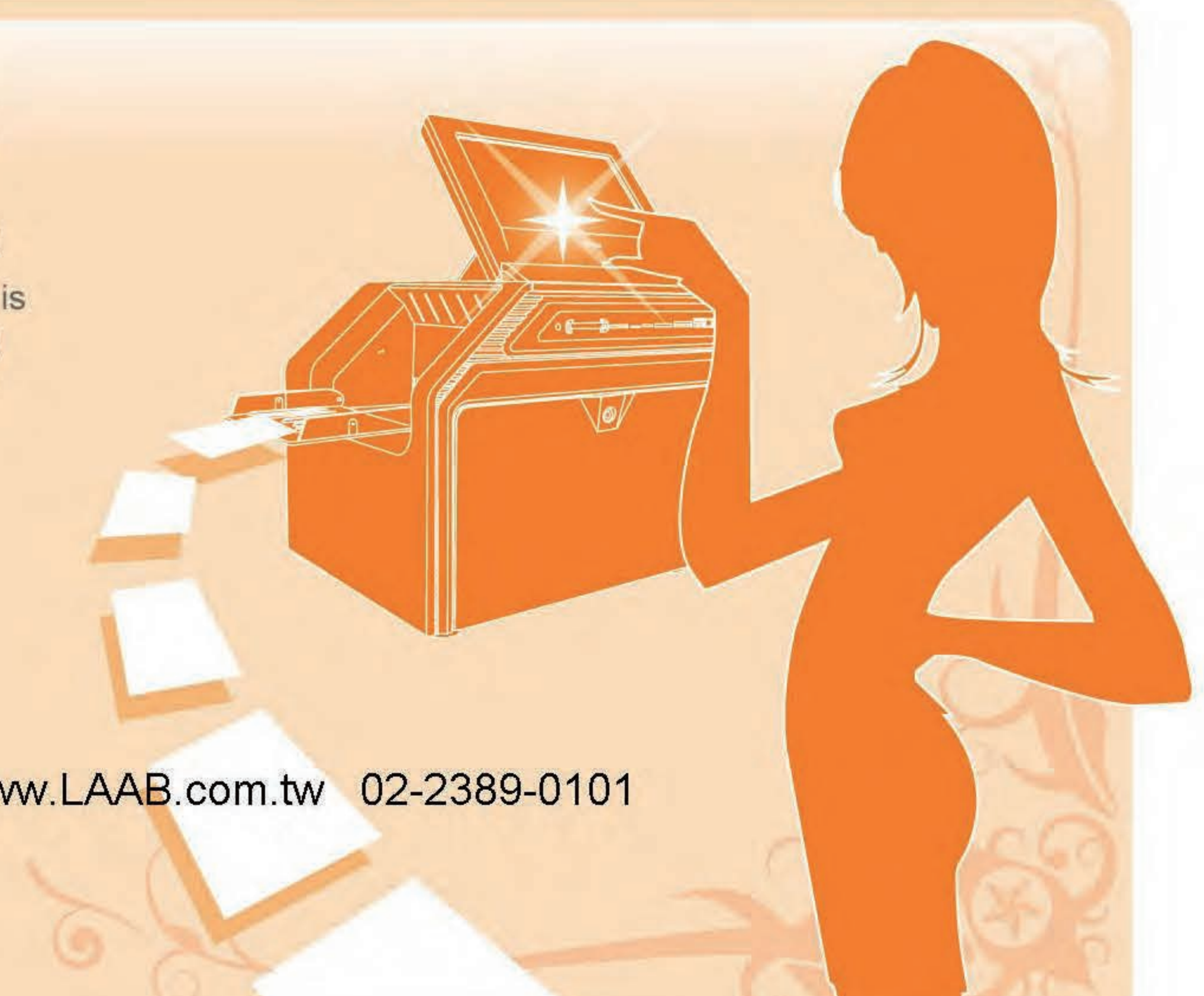
Saving Space for In-Store Business

HiTi P510K is compact and stylish design, making it perfect suitable for any retail environment. You can create your own in-store business just from a small space.

Easy to Start Your Photo Business

Designed for hassle free in-store business, you can unpack HiTi P510K and start your photo business right away.

www.LAAB.com.tw 02-2389-0101



10.2-inch TFT LCD Touch Screen

Memory Card Slots & USB Host

Paper Exit

Paper Tray

Consumables Door



www.LAAB.com.tw
02-2389-0101

► Complete and User-Friendly Workflow

Standalone Operation on Touch Screen

Utilizing a graphic user interface on a 10.2-inch TFT LCD touch screen, P510K allows the user to edit photos, add text and print the collage photo easily.



Intuitive User Interface Design

HiTi P510K delivers the truly user friendly GUI (Graphic User Interface) for easy-to-use operation.



Backstage Management

HiTi P510K offers the complete backstage management functions, such as selling price setting, color adjustment and administration authority, enabling owners to set up the kiosk in an easiest way.



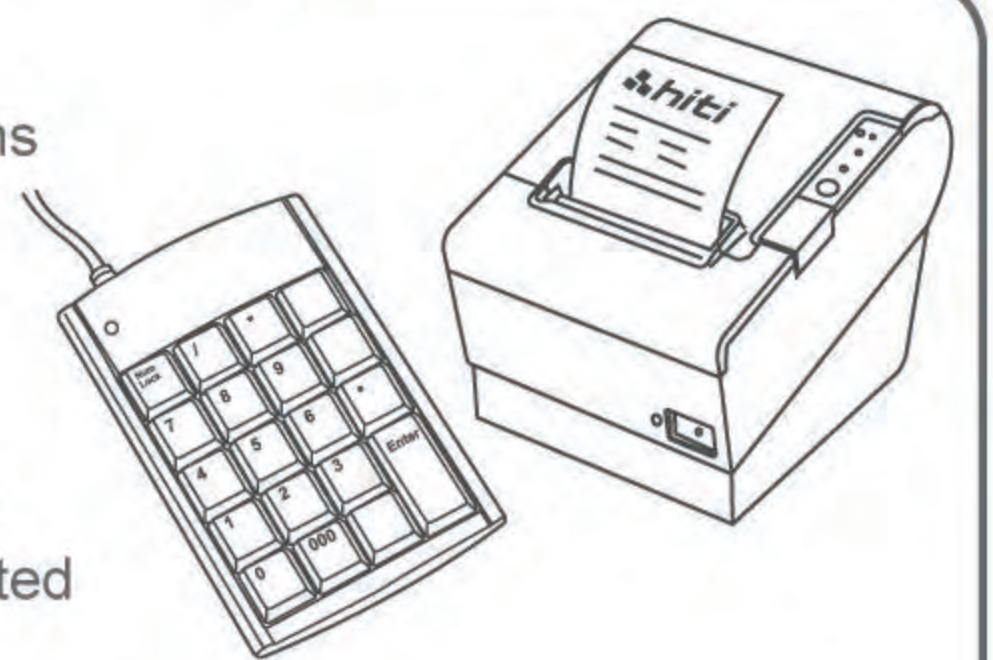
Customized Photo E-Frame

P510K enables the business owners freely to add the customized photo e-frame from the backstage system to provide the value-added holiday or event prints for customers.



Payment Solutions

According to the shop environment, HiTi P510K provides various payment solutions for shop owners to manage how the customers pay for their prints.



Receipt Printer Support

HiTi P510K is compatible with ESC/POS commands and can optionally be connected with the receipt printer.

- * P510K supports only limited external payment solution devices, please refer to HiTi website for further details.
- ** External device is not a standard equipment of package contents.

► World Leading Output Quality

10-bit Color Engine

By adding an all-new OEE II image processor, HiTi is leading the industry in providing 10-bit deep color performance and unparalleled RGB-Level.

10-bit processing = 1,024

R 1,024 x G 1,024 x B 1,024 = 1 Billion Color



Powered by HiTi Color

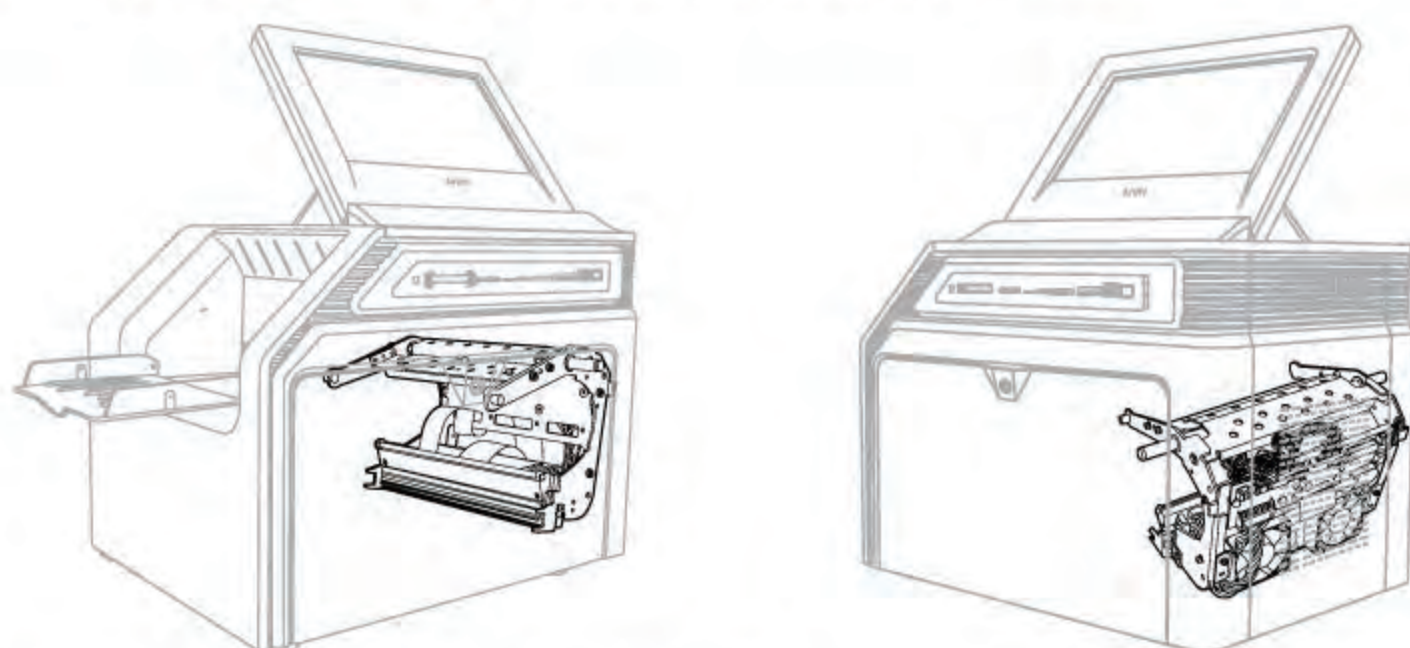
HiTi Color Technology, a HiTi exclusive color management system, has won 8 DIMA shoot-out awards and is acclaimed by photographic professionals from around the world.



► Durable and Convenient Design

Improved Dust-Proof Housing

The Thermal Printing Head of the P510K photo kiosk is protected by an integrated dust cover, efficiently reducing contamination.

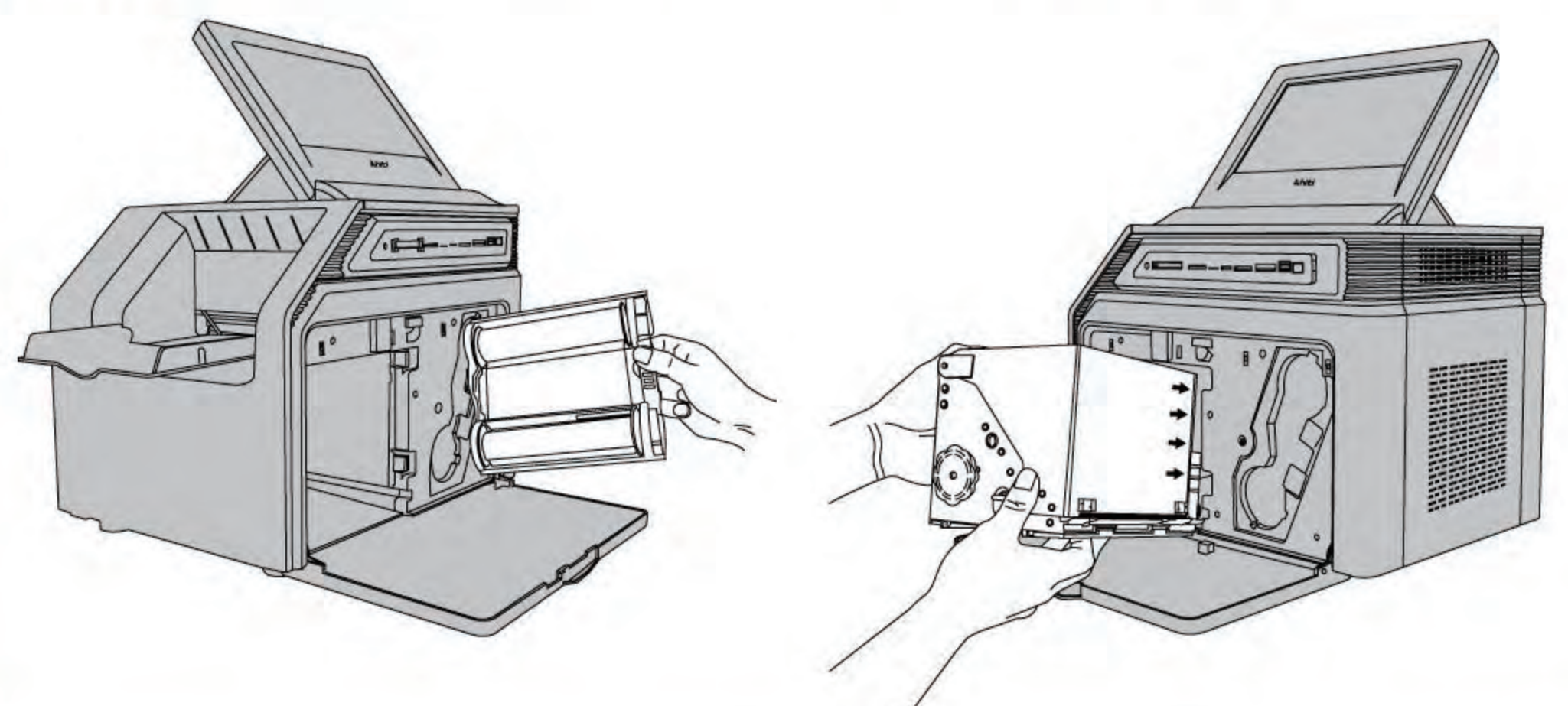


Lower Power Consumption

HiTi P510K delivers industry-leading performance and consumes less power. The total power consumption of HiTi P510K is about 350W, and it runs at less than 40W in as printer is idling.

Easy Replacement for Consumables

The front loading design of the HiTi P510K photo kiosk allows for easy access to the ribbon and paper roll resulting in easy and efficient maintenance procedures.



▶ P510K

▶ Specifications

Model Name	HiTi P510K
Printing Method	Dye Diffusion Thermal Transfer (D2T2 Technology)
Resolution	300 x 300 dpi
Print Size & Capacity	4" x 6" (102 x 152 mm): 330 prints 5" x 7" (127 x 177 mm): 190 prints 6" x 8" (152 x 203 mm): 150 prints 6" x 9" (152 x 229 mm): 150 prints
Printing Speed	Around 12 seconds (4x6 prints)
Display	10.2-inch TFT LCD touch screen (16:9)
Input Media *	CF / Micro Drive / SD (SDHC) / Mini SD / Micro SD / MMC / MS / MS Pro / USB Pen Drive / DVD or CD Reader
Wireless	Bluetooth
Operation System	Linux
Flash Memory	4GB CF Card (memory upgrade)
Standalone Operation	Yes
Power Requirement	AC 100 V~240 V, 50 / 60 Hz
Power Consumption	Total power consumption: approx. 350W Standby power consumption: less than 40W
Operation Temperature	15°C ~ 32°C (59°F ~ 90°F)
Operation Humidity	20 ~ 75% non-condensing
Dimension	430 x 305 x 340 mm
Weight	Approx. 18 kg / 40 lbs (consumables excluded)

* External USB DVD/CD reader is compatible with P510K, but it's not the standard equipment of package contents.

▶ Dimension



▶ Consumables

P510 Series

4" x 6" Ribbon & Paper Case (660 images per case)

Ribbon (330 sheets / roll) x 2
Paper (330 sheets / roll) x 2



P510 Series

5" x 7" Ribbon & Paper Case (380 images per case)

Ribbon (190 sheets / roll) x 2
Paper (190 sheets / roll) x 2



P510 Series

6" x 9" Ribbon & Paper Case (300 images per case)

Ribbon (150 sheets / roll) x 2
Paper (150 sheets / roll) x 2



Service & Support Centers

Taiwan

www.LAAB.com.tw
02-2389-0101

China

HiTi Digital Suzhou, Inc.
No.58, XinQing Road, Suzhou Industrial Park, JiangSu, China
Tel: +86-512-8717-1688
Fax: +86-512-6760-1186

Europe · Russia

HiTi Digital Europe B.V.
ESP 206, 5633 AC, Eindhoven, The Netherlands
Tel: +31-40-2565166
Fax: +31-40-2903176 & +31-40-2903287

North America

HiTi Digital America, Inc.
727 Brea Canyon Rd. Suite#2 Walnut, CA 91789, USA
Tel: +1-909-594-0099
Fax: +1-909-598-0011

Latin America

HiTi Digital, Inc. (Mexico)
Agustin Gonzalez de Cossio No. 1-202 Col. Del Valle, C.P. 03100, Mexico, D. F. Mexico
TEL: +52-55-50253671, +52-55-50253672
FAX: +52-55-11076206

Middle East · Africa

HiTi Digital, Inc. MEA
Office No. 1608, Indigo Icon Tower, JLT, Dubai - U.A.E.
Tel: +971-4-3674547
Fax: +971-4-3674221

India

HiTi Digital, Inc. (New Delhi Liaison Office)
401/402, 4th floor, 96, Siddharth Building Nehru Place, New Delhi 110019
Tel: +91-11-4180-8191
Fax: +91-11-4180-8193

hiti HiTi Digital, Inc.

▲ © 2010 HiTi Digital, Inc. All Rights Reserved.
▲ All trademarks and brand names are properties of respective companies.
▲ Specifications are subject to change without prior notice.

P/N:70.00D10. E15